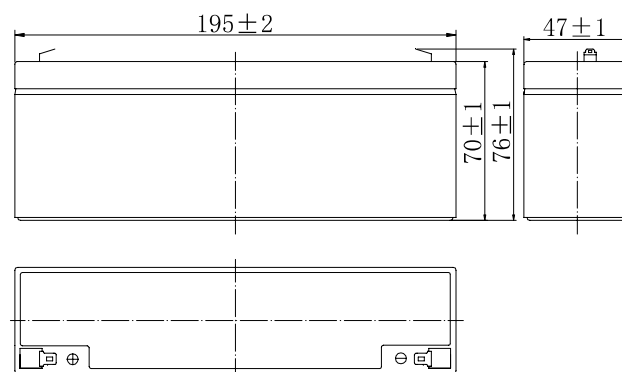


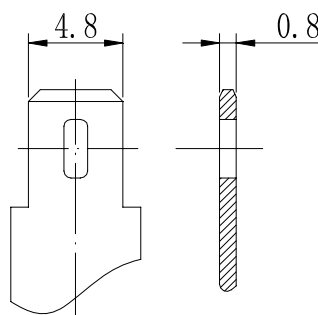
**Specifications**

Nominal Voltage		12 V
Capacity (25 °C)	20HR(10.5V)	4.2Ah
	10HR(10.5V)	3.9Ah
	1HR(9.60V)	2.73Ah
Dimension	Length	195 ± 2mm (7.68inch)
	Width	47 ± 1mm (1.85inch)
	Height	70 ± 1mm (2.76inch)
	Total Height	76 ± 1mm (2.99inch)
Approx. Weight		1.43kg (3.16lbs) ± 5%
Terminal type		T1
Internal resistance (Fully charged, 25 °C)		Approx. 45m Ω
Capacity affected by temperature (20HR)	40 °C	102%
	25 °C	100%
	0 °C	85%
	-15 °C	65%
Self-discharge (25 °C)	3 month	Remaining Capacity: 91%
	6 month	Remaining Capacity: 82%
	12 month	Remaining Capacity: 65%
Nominal operating temperature		25 °C ± 3 °C (77 °F ± 5 °F)
Operating temperature range	Discharge	-15 °C ~ 50 °C (5 °F ~ 122 °F)
	Charge	-10 °C ~ 50 °C (14 °F ~ 122 °F)
	Storage	-20 °C ~ 50 °C (-4 °F ~ 122 °F)
Float charging voltage(25 °C)	13.60 to 13.80V Temperature compensation: -18mV/°C	
Cyclic charging voltage(25 °C)	14.50 to 14.90V Temperature compensation: -30mV/°C	
Maximum charging current	1.26A	
Terminal material	Copper	
Maximum discharge current	63A(5 sec.)	
Designed floating life(20 °C)	10years	

**Dimensions**



**Terminal**



Terminal T1

- ◆ Absorbent glass mat technology;
- ◆ Recognized by UL & CE;
- ◆ ABS container.

**Constant Current Discharge Characteristics (A, 25 °C)**

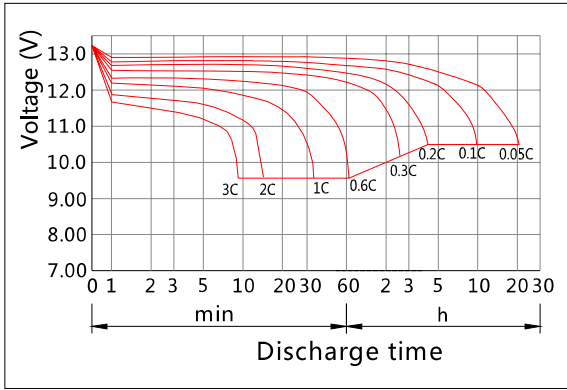
F.V/TIME	5min	10min	15min	30min	60min	2h	3h	4h	5h	10h	20h
9.60V	16.0	10.1	7.98	4.45	2.73	1.49	1.07	0.86	0.73	0.40	0.21
9.90V	15.5	9.78	7.79	4.36	2.69	1.48	1.06	0.85	0.72	0.39	0.21
10.2V	14.8	9.37	7.50	4.23	2.62	1.47	1.06	0.85	0.72	0.39	0.21
10.5V	14.2	8.97	7.25	4.13	2.57	1.45	1.05	0.84	0.71	0.39	0.21
10.8V	13.4	8.47	6.86	3.98	2.49	1.41	1.02	0.81	0.69	0.38	0.21

**Constant Power Discharge Characteristics (Watt, 25 °C)**

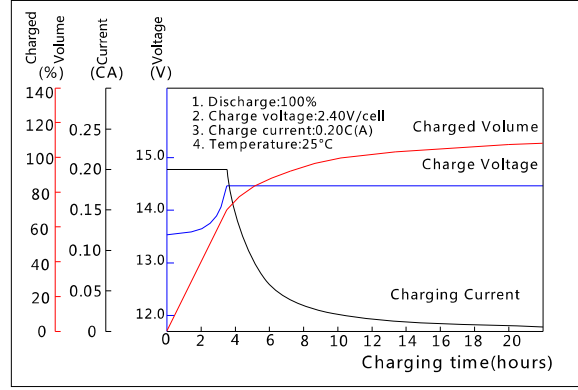
F.V/TIME	5min	10min	15min	30min	60min	2h	3h	4h	5h	10h	20h
9.60V	178	114	91.0	51.0	31.6	17.5	12.7	10.2	8.70	4.76	2.56
9.90V	173	110	88.8	50.0	31.1	17.4	12.6	10.1	8.64	4.74	2.55
10.2V	166	106	85.5	48.5	30.3	17.2	12.6	10.1	8.58	4.72	2.54
10.5V	159	101	82.6	47.3	29.7	16.9	12.5	10.0	8.53	4.69	2.52
10.8V	150	95.5	78.2	45.6	28.8	16.5	12.1	9.70	8.27	4.59	2.47

Note: The above characteristics data can be obtained within three charge/discharge cycles.

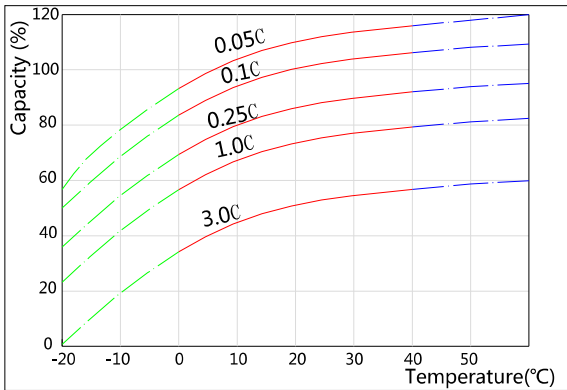
**Discharge Characteristics(25°C)**



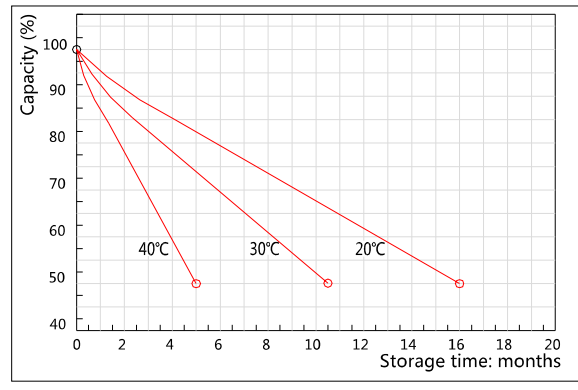
**Charging Characteristics(25°C)**



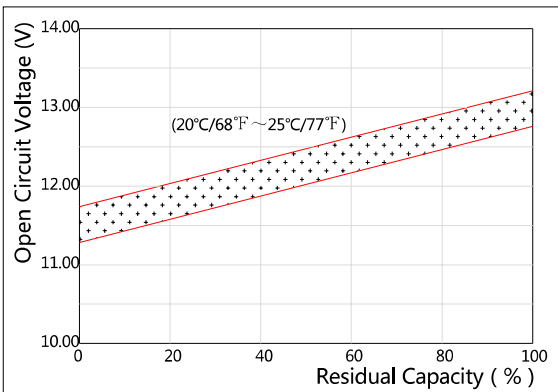
**Effect of Temperature on Capacity**



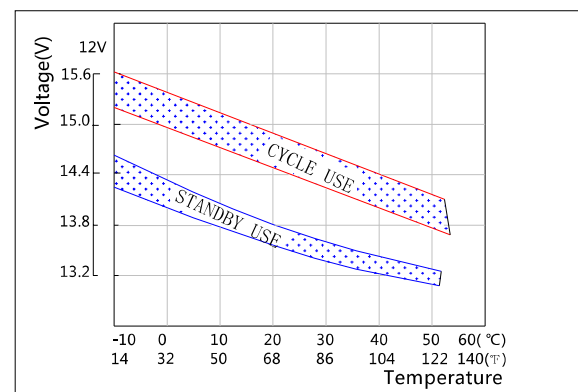
**Self-discharge Characteristics**



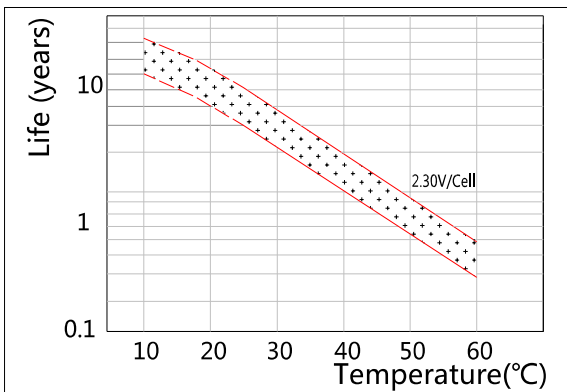
**The Relationship for Open Circuit Voltage and Residual Capacity (25°C)**



**The Relationship for Charging Voltage and Temperature**



**Floating Life on Temperature**



**Cycle Life on D.O.D(25°C)**

