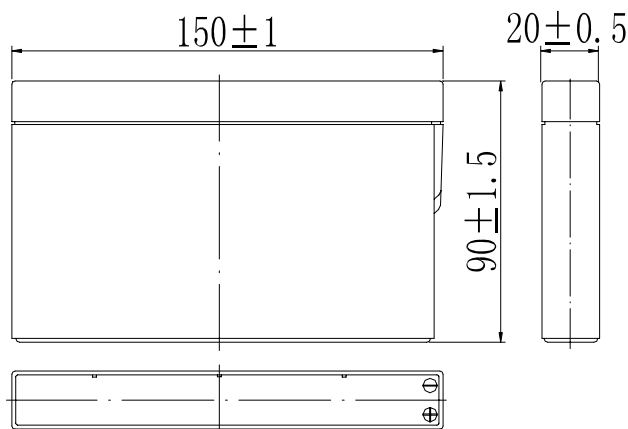


Specifications

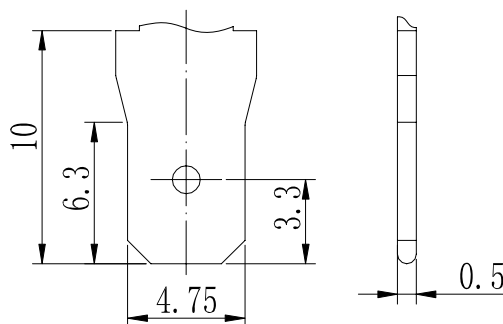
Nominal Voltage		12 V
Capacity (25 °C)	20HR(10.5V)	2.0Ah
	10HR(10.5V)	1.86Ah
	1HR(9.60V)	1.30Ah
Dimension	Length	150 ± 1mm (5.91inch)
	Width	20 ± 0.5mm (0.79inch)
	Height	90 ± 1.5mm (3.54inch)
	Total Height	90 ± 1.5mm (3.54inch)
Approx. Weight		0.67kg (1.47lbs) ± 5%
Terminal type		Tab
Internal resistance (Fully charged, 25 °C)		Approx. 70m Ω
Capacity affected by temperature (20HR)	40 °C	102%
	25 °C	100%
	0 °C	85%
	-15 °C	65%
Self-discharge (25 °C)	3 month	Remaining Capacity: 91%
	6 month	Remaining Capacity: 82%
	12 month	Remaining Capacity: 65%
Nominal operating temperature		25 °C ± 3 °C (77 °F ± 5 °F)
Operating temperature range	Discharge	-15 °C ~ 50 °C (5 °F ~ 122 °F)
	Charge	-10 °C ~ 50 °C (14 °F ~ 122 °F)
	Storage	-20 °C ~ 50 °C (-4 °F ~ 122 °F)
Float charging voltage(25 °C)		13.60 to 13.80V Temperature compensation: -18mV/°C
Cyclic charging voltage(25 °C)		14.50 to 14.90V Temperature compensation: -30mV/°C
Maximum charging current		0.6A
Terminal material		Copper
Maximum discharge current		30A(5 sec.)
Designed floating life(20 °C)		10years



Dimensions



Terminal



- ◆ Absorbent glass mat technology;
- ◆ Recognized by UL & CE;
- ◆ ABS container.

Constant Current Discharge Characteristics (A, 25 °C)

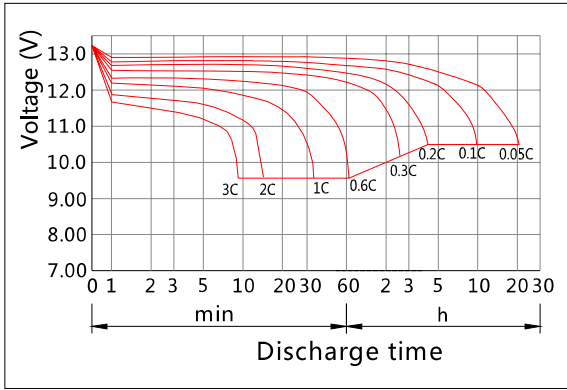
F.V/TIME	5min	10min	15min	30min	60min	2h	3h	4h	5h	10h	20h
9.60V	7.60	4.80	3.80	2.12	1.30	0.71	0.51	0.41	0.35	0.189	0.102
9.90V	7.37	4.66	3.71	2.08	1.28	0.71	0.51	0.41	0.34	0.188	0.101
10.2V	7.07	4.46	3.57	2.01	1.25	0.70	0.50	0.40	0.34	0.187	0.101
10.5V	6.76	4.27	3.45	1.97	1.22	0.69	0.50	0.40	0.34	0.186	0.100
10.8V	6.38	4.03	3.27	1.89	1.19	0.67	0.49	0.39	0.33	0.182	0.098

Constant Power Discharge Characteristics (Watt, 25 °C)

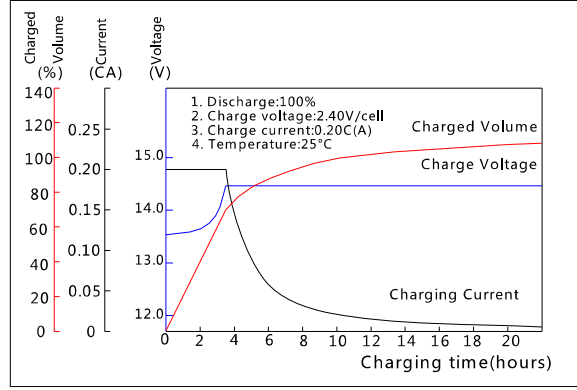
F.V/TIME	5min	10min	15min	30min	60min	2h	3h	4h	5h	10h	20h
9.60V	84.8	54.1	43.3	24.3	15.1	8.31	6.06	4.86	4.14	2.27	1.22
9.90V	82.3	52.5	42.3	23.8	14.8	8.26	6.02	4.83	4.12	2.26	1.21
10.2V	78.9	50.4	40.7	23.1	14.5	8.19	5.98	4.80	4.09	2.25	1.21
10.5V	75.5	48.2	39.3	22.5	14.2	8.07	5.94	4.76	4.06	2.23	1.20
10.8V	71.2	45.5	37.3	21.7	13.7	7.86	5.76	4.62	3.94	2.19	1.18

Note: The above characteristics data can be obtained within three charge/discharge cycles.

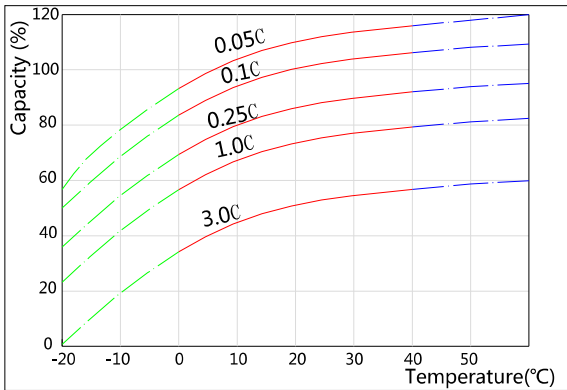
Discharge Characteristics(25°C)



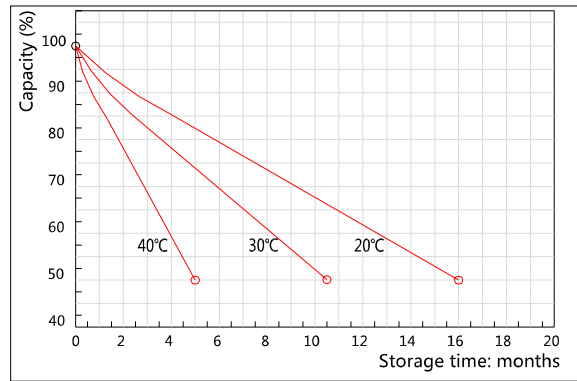
Charging Characteristics(25°C)



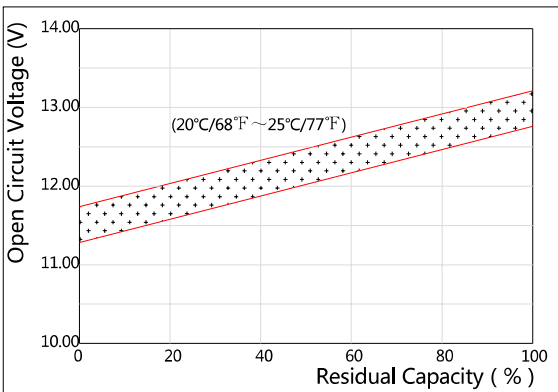
Effect of Temperature on Capacity



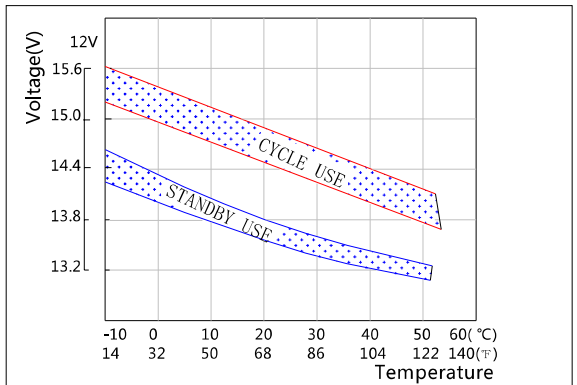
Self-discharge Characteristics



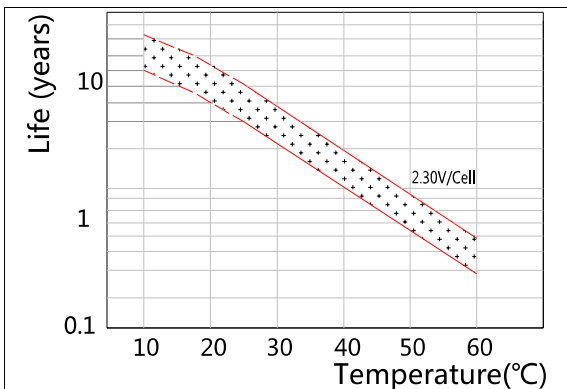
The Relationship for Open Circuit Voltage and Residual Capacity (25°C)



The Relationship for Charging Voltage and Temperature



Floating Life on Temperature



Cycle Life on D.O.D(25°C)

